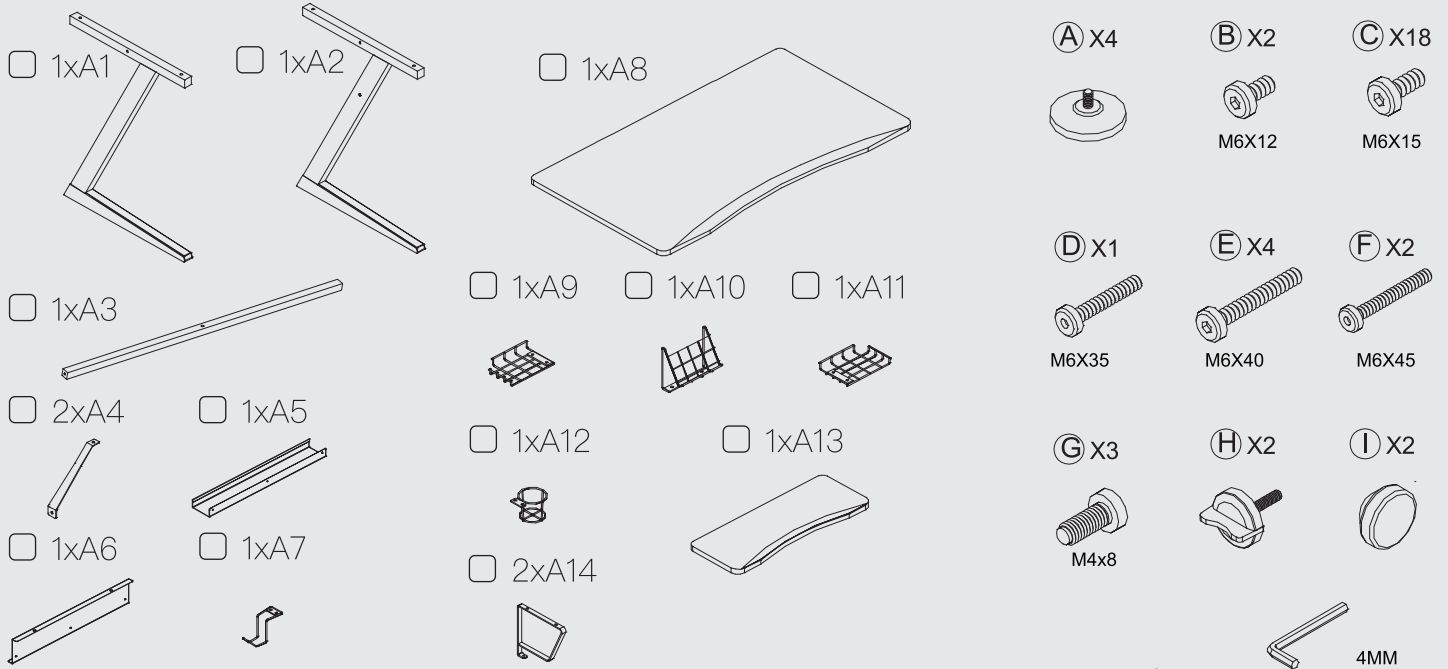


01 Check Various Accessories Desk Accessories

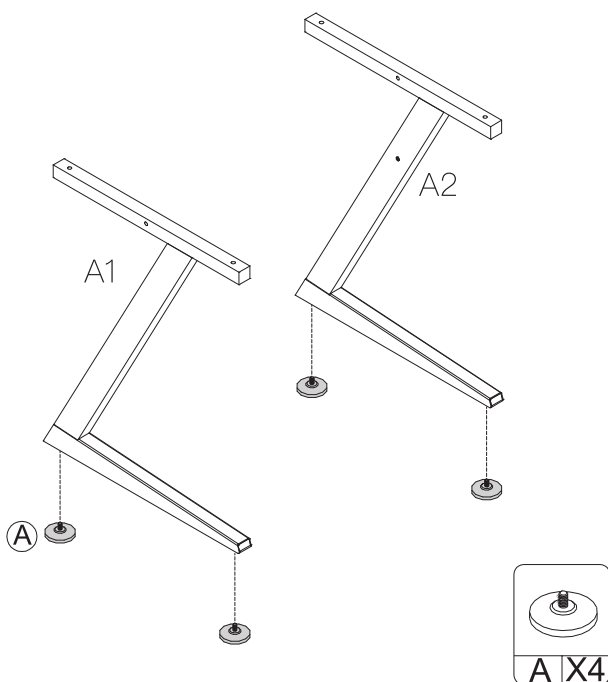
Please check and ensure the things are in the package. You can contact us for help if something is not included.



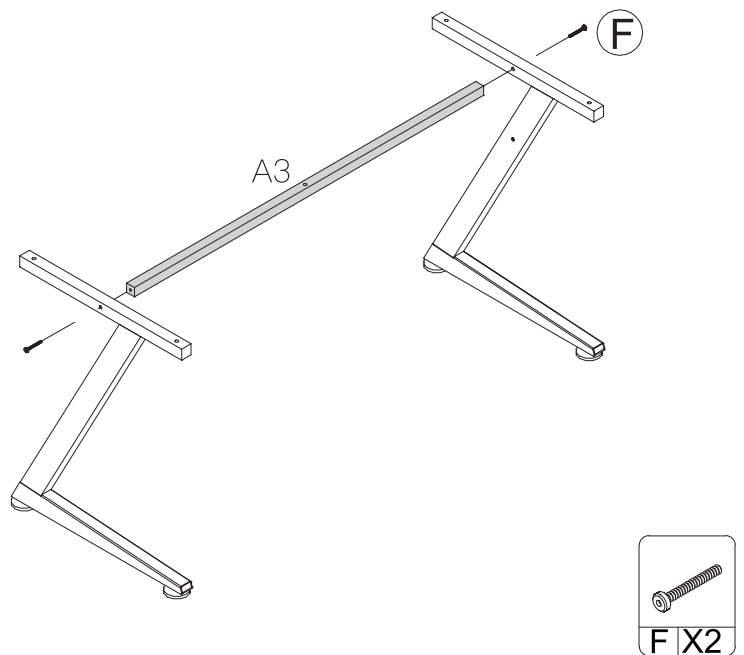
02 Instructions Before Using Desk Installation

Please work on soft floor or put on soft mat on the floor to avoid damaging the floor.

1 Install **A** on A1, A2.



2 Attach A3 on A1, A2 with **F**.



NOTE: Assembly is recommended to be carried out by two people.